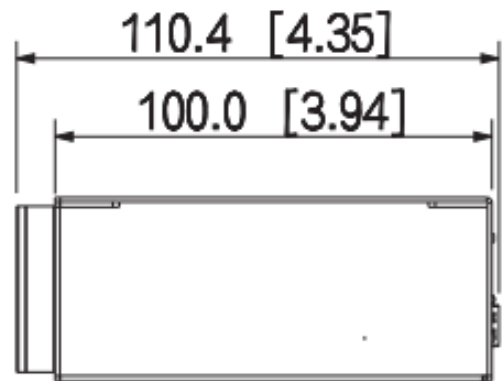
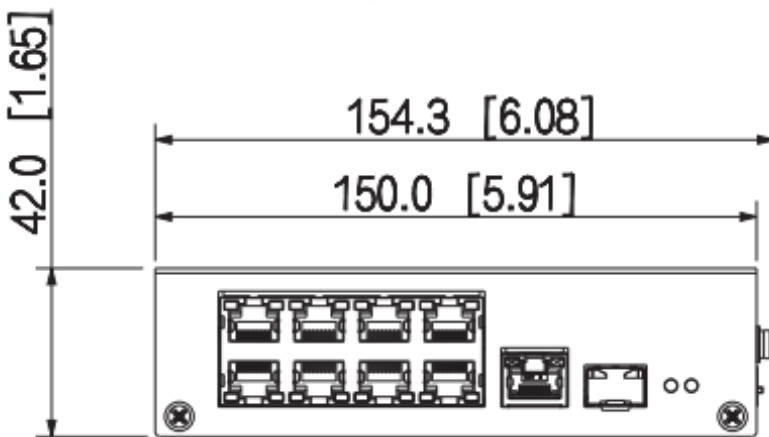
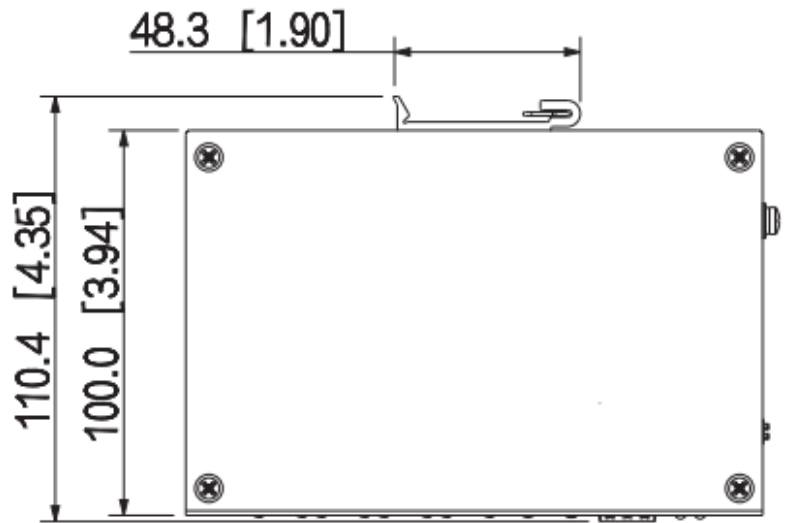


# E-EFS-0901-90-96

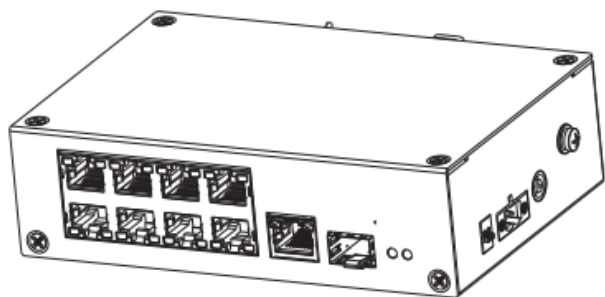
10-Port Unmanaged Desktop Switch with 8 Port PoE



Dimensions mm (inch)



## Panels



## Technical Specification

### Hardware

Data Transmission Port	Port 1–8: 8 × RJ-45 10/100 Mbps (PoE) Port 9: 1 × RJ-45 10/100/1000 Mbps (uplink) Port 10: 1 × SFP 1000 Mbps (uplink)
Power Supply	48 V–57 V DC
Operating Temperature	5% – 95% (RH)
Operating Humidity	Port 1–4: 4 × RJ-45 10/100 Mbps (PoE) Port 5: 1 × RJ-45 10/100/1000 Mbps (Uplink) Port 6: 1 × SFP 100/1000 Mbps (Uplink)
Power Consumption	Idling: 3 W Full load: 96 W

### Performance

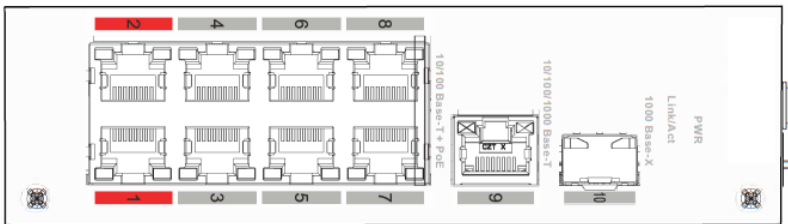
Capacity	7.6 Gbps
Packet Forwarding Rate	4.17 Mbps
Packet Buffer Memory	1 Mbit
MAC Table Size	8K
Communication Standard	IEEE802.3/IEEE802.3u/IEEE802.3X/IEEE 802.3ab/IEEE 802.3z

### PoE

PoE Protocol	IEEE802.3af/ IEEE802.3at/ Hi-PoE/ IEEE802.3bt
PoE Power	Port 1-2 ≤ 90 W, Port 3-8 ≤ 30W, total ≤ 96 W
Power Consumption Management	Yes
PoE Pin Assignment	1, 2, 4, 5 (V+), 3, 6, 7, 8 (V-)
Long Distance PoE Transmission	250 m long distance PoE transmission

### General

Lightning Protection	Air discharge: 8 kV Contact discharge: 6 kV
ESD Protection	Common mode: 4 kV Differential mode: 2 kV
Net Weight	0,54 kg
Product Dimensions	150 mm × 100 mm × 42 mm



## Installation

